

# Hampshire

Classic single-ended bath



- Traditional Edwardian single-ended design
- The more generously proportioned brother to the Wessex
- Made from QUARRYCAST® - an exclusive one piece casting
- Easy clean high gloss finish
- Exterior and feet can be painted
- 25 year guarantee

#### Recommended Waste

K3 Exposed Plug & Chain - Chrome or Gold

#### Alternative Waste

K2 Concealed Plug & Chain - Chrome or Gold

K9 Concealed Pop-up - Chrome

K14 Exposed Push Control - Chrome

**NB:** For the full range of Victoria & Albert® brassware suitable for the Hampshire, please refer to the price list

#### Options to be Specified

##### Bath:

- **Predrilled tap holes**  
2 at 180mm centres
- **No tap holes**  
Suitable for freestanding or wall mounted taps - or special order brassware requiring bespoke on-site drilling of holes.

##### Feet:

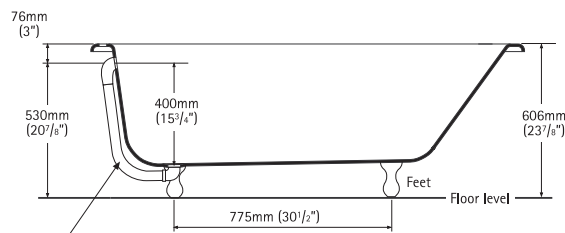
- **Decorative QUARRYCAST® small ball and claw feet**  
- White
- **Decorative cast metal small ball and claw feet**  
- Chrome, Gold or Black

**Note:** For product specifications please see over

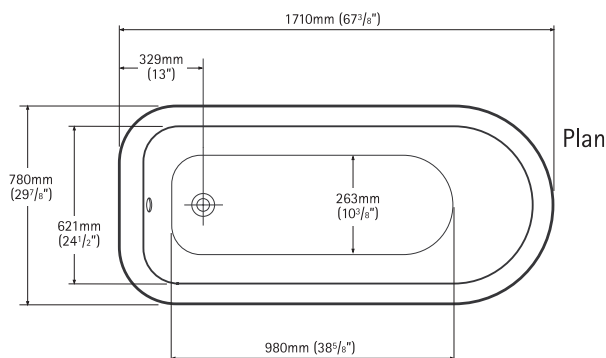
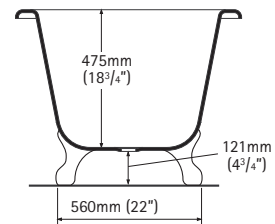


# Hampshire

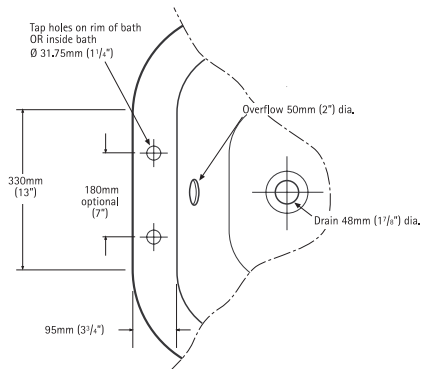
Classic single-ended bath



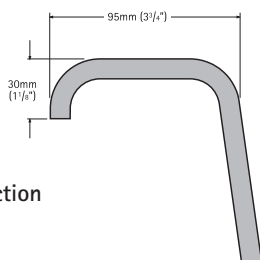
Typical drain assembly



Plan



End Tap Ledge



Typical Rim Section

## General specifications for Hampshire bath

Installed size	1710mm x 780mm x 600mm
Weight	50kg
Weight with water	250kg
Litres to overflow	200 litres
Bathing well at sump	980mm x 263mm
Bathing well at rim	1535mm x 621mm
Water depth to overflow	400mm

## Notes

Refer to installation instructions supplied with bath for additional information. The feet supplied support sump of bath. No additional support required.

Fittings (taps & drain assembly) not included and must be ordered separately. If installing deck mounted brassware refer to 'drilling tap holes' instructions before installation.

## Important

Dimension of fixtures are nominal and may vary within the range of tolerances established by ANSI standard A112.19.4M.

These measurements are subject to change or cancellation.

No responsibility is assumed for use of superseded or void leaflet.