

# Richmond

Classic double-ended bath



- Traditional freestanding design
- Made from QUARRYCAST®  
- an exclusive one piece casting
- Easy clean high gloss finish
- Exterior and feet can be painted
- Complete with Art Deco style scroll QUARRYCAST® feet  
- white
- 25 year guarantee

#### Recommended Waste

K2 Concealed Plug & Chain - Chrome or Gold

#### Alternative Waste

K3 Exposed Plug & Chain - Chrome or Gold

K9 Concealed Pop-up - Chrome

K14 Exposed Push Control - Chrome

**NB:** For the full range of Victoria & Albert® brassware suitable for the Richmond, please refer to the price list

#### Options to be Specified

##### Bath:

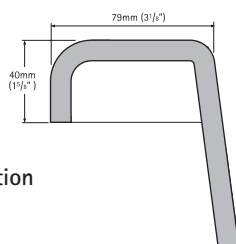
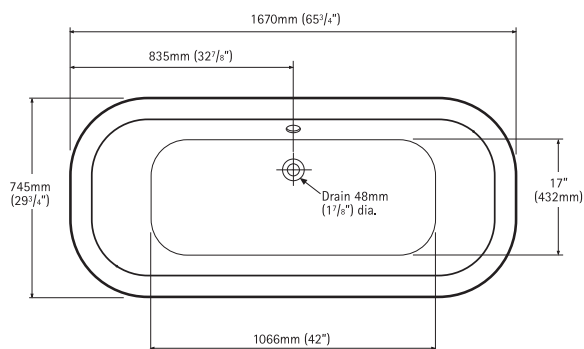
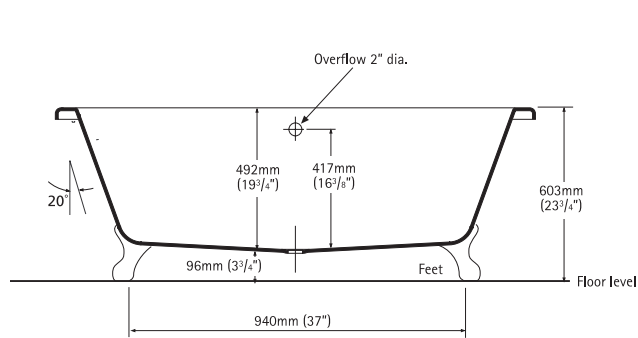
- **Predrilled tap holes**  
2 at 180mm centres
- **No tap holes**  
Suitable for freestanding or wall mounted taps - or special order brassware requiring bespoke on-site drilling of holes.

**Note:** For product specifications please see over

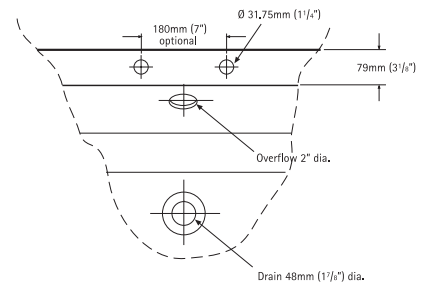
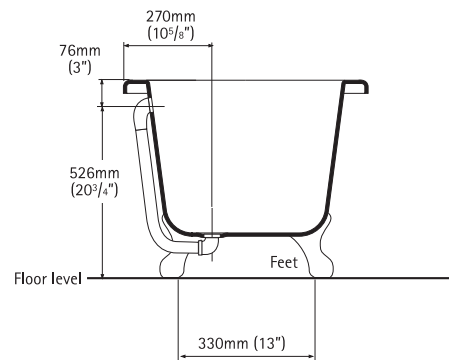


# Richmond

## Classic double-ended bath



Typical Rim Section



Rear Tap Ledge

### General specifications for Richmond bath

|                         |                        |
|-------------------------|------------------------|
| Installed size          | 1670mm x 745mm x 603mm |
| Weight                  | 60kg                   |
| Weight with water       | 280kg                  |
| Litres to overflow      | 220 litres             |
| Bathing well at sump    | 1066mm x 432mm         |
| Bathing well at rim     | 587mm x 1512mm         |
| Water depth to overflow | 417mm                  |

### Notes

Refer to installation instructions supplied with bath for additional information. The feet supplied support sump of bath. No additional support required.

Fittings (taps & drain assembly) not included and must be ordered separately. If installing deck mounted brassware refer to 'drilling tap holes' instructions before installation.

### Important

Dimension of fixtures are nominal and may vary within the range of tolerances established by ANSI standard A112.19.4M.

These measurements are subject to change or cancellation.

No responsibility is assumed for use of superseded or void leaflet.