

Shropshire

Classic 'slipper' bath



- Traditional slipper design
- Made from QUARRYCAST® - an exclusive one piece casting
- Easy clean high gloss finish
- Exterior and feet can be painted
- 25 year guarantee

Recommended Waste

K3 Exposed Plug & Chain - Chrome or Gold

Alternative Waste

K2 Concealed Plug & Chain - Chrome or Gold

K9 Concealed Pop-up - Chrome

K14 Exposed Push Control - Chrome

NB: For the full range of Victoria & Albert® brassware suitable for the Shropshire, please refer to the price list

Options to be Specified

Bath:

- **Predrilled tap holes**
2 at 180mm centres
- **No tap holes**
Suitable for freestanding or wall mounted taps - or special order brassware requiring bespoke on-site drilling of holes.

Feet:

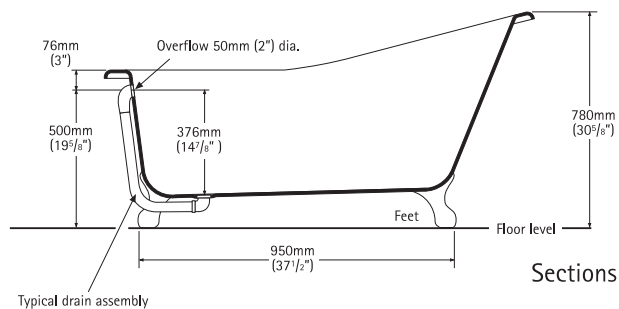
- **Decorative QUARRYCAST® ball and claw feet**
- White
- **Decorative cast metal ball and claw feet**
- Chrome, Gold or Black

Note: For product specifications please see over

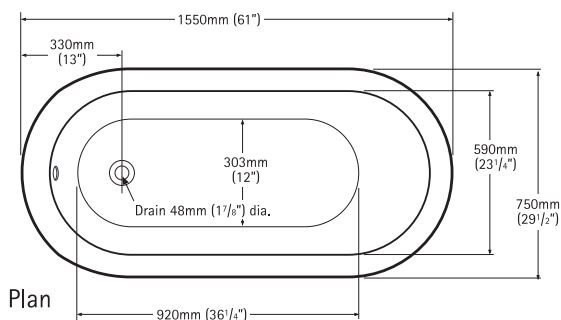
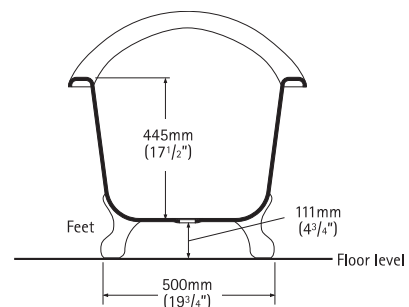


Shropshire

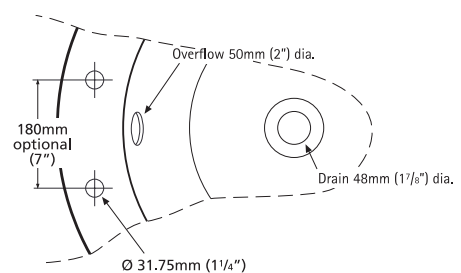
Classic 'slipper' bath



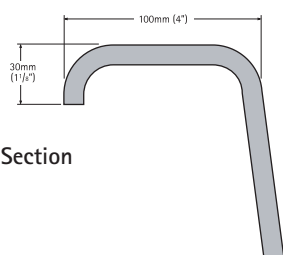
Sections



Plan



End Tap Ledge



Typical Rim Section

General specifications for Shropshire bath

Installed size	1550mm x 750mm x 576-780mm
Weight	55kg
Weight with water	215kg
Litres to overflow	160 litres
Bathing well at sump	920mm x 303mm
Bathing well at rim	1370mm x 590mm
Water depth to overflow	376mm

Notes

Refer to installation instructions supplied with bath for additional information. The feet supplied support sump of bath. No additional support required.

Fittings (taps & drain assembly) not included and must be ordered separately. If installing deck mounted brassware refer to 'drilling tap holes' instructions before installation.

Important

Dimension of fixtures are nominal and may vary within the range of tolerances established by ANSI standard A112.19.4M.

These measurements are subject to change or cancellation.

No responsibility is assumed for use of superseded or void leaflet.