

Antibes built-in

ANT-N-SW



Contemporary double-ended tub

- Dedicated design for built-in and undermount applications
 - Shown above in undermounted black decking (not supplied)
- Super deep bathing well
 - 18¹³/₁₆" to overflow
- Easy installation thanks to 4 height adjustable feet
- Made from ENGLISHCAST™
 - One piece casting of rare volcanic limestone and resin
 - Harder and more durable than acrylic
- Easy clean high gloss finish
- Exterior can be painted, faux finished or stenciled
- 25 year warranty



Easy installation thanks to four adjustable feet

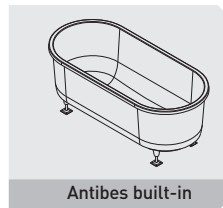
FT-ANT-BI

Options to be Specified

Tub:

Antibes Built-in

- No faucet holes
 - Suitable for freestanding or wall mounted faucets
- Note** Due to the design of the rim this product cannot be drilled for faucet holes.



Antibes built-in

Recommended Drain:

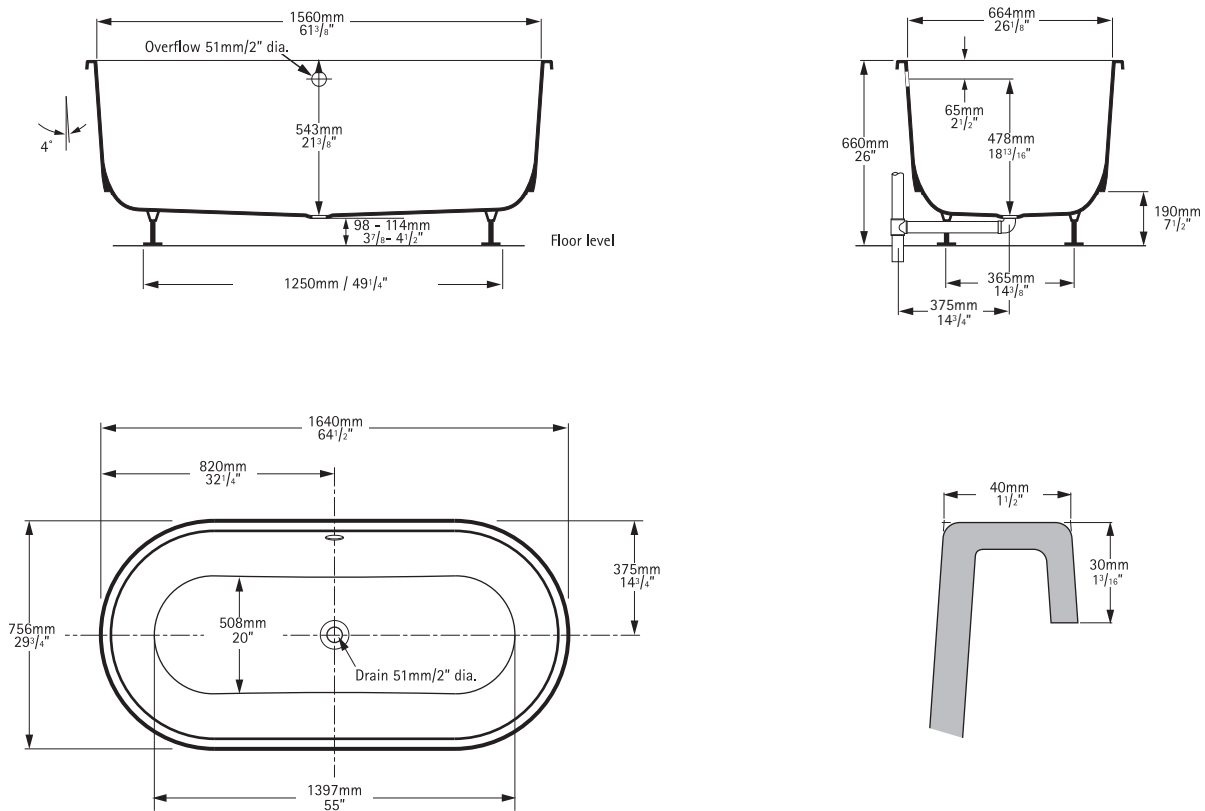
Standard Drain - STD-UNI-XX

Note: For product specifications please see over



Antibes Built-in

Contemporary double-ended tub



General specifications for Antibes tub

Installed size	64 1/2" x 29 3/4" x 26"
Weight	113lbs
Weight with water	818lbs
Gallons to overflow	84 1/2 gallons
Bathing well at sump	55" x 20"
Bathing well at rim	61 3/8" x 24 3/8"
Water depth to overflow	18 3/16"

Notes

Refer to installation instructions supplied with tub for additional information.

Fittings (faucets & drain assembly) not included and must be ordered separately.

Important

Dimension of fixtures are nominal and may vary within the range of tolerances established by ANSI standard A112.19.4M.

These measurements are subject to change or cancellation.

No responsibility is assumed for use of superseded or void leaflet.