

Capri CAP-N-SW



Modern double-ended tub

- Contemporary freestanding design
- Features full length towel bar
 - Chrome
 - Brushed Nickel
- Ergonomically designed lumbar supports
- Made from ENGLISHCAST™
 - One piece casting of rare volcanic limestone and resin
 - Harder and more durable than acrylic
- Easy clean high gloss finish
- Exterior can be painted, faux finished or stenciled
- 25 year warranty

Dare to be square?
The Capri uses straight lines to great effect



Options to be Specified

Tub:

- No faucet holes
Suitable for freestanding, wall or deck mounted faucets.
Victoria & Albert warranty installers drilling custom faucet holes on-site.

Recommended Drain:

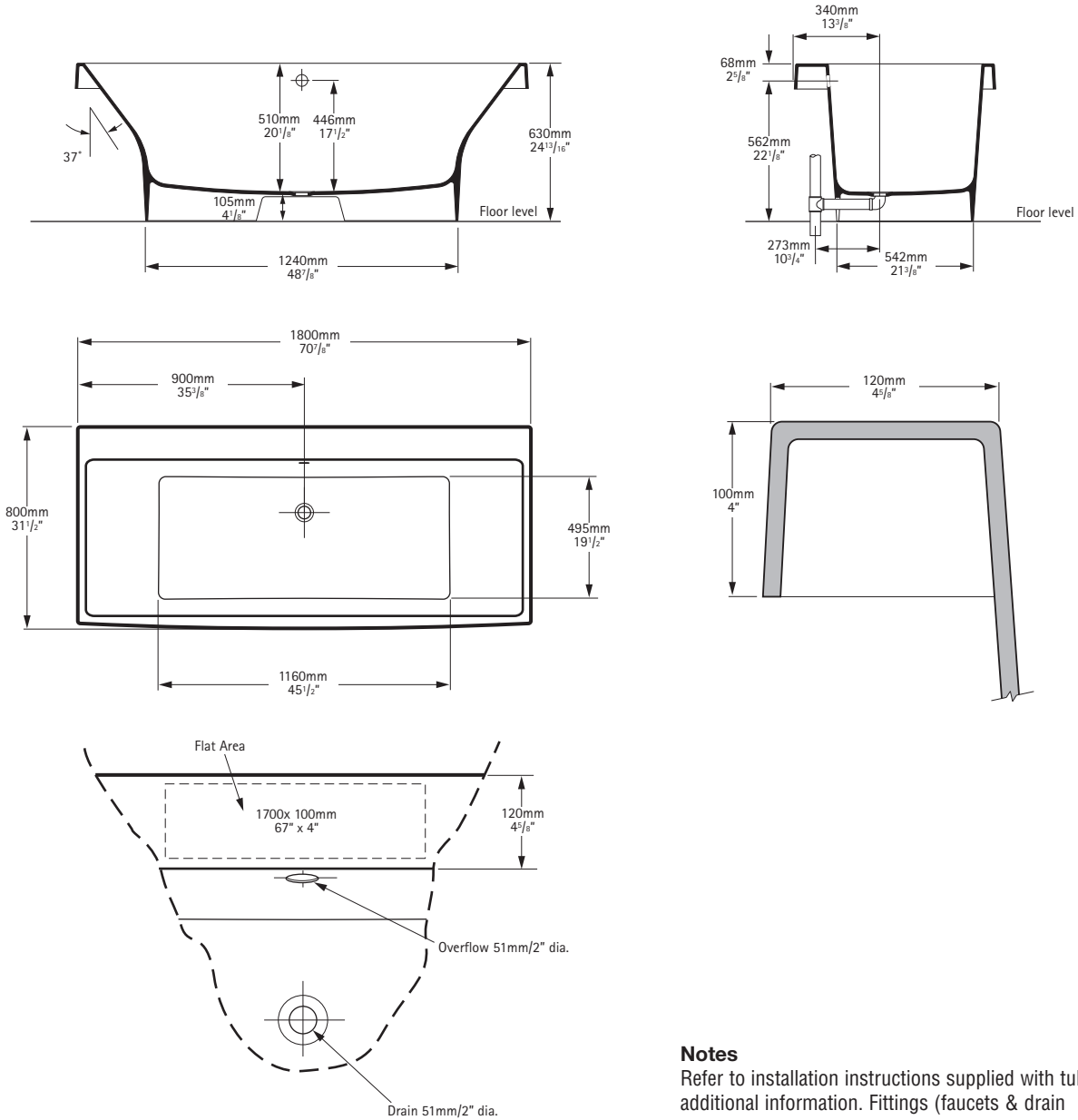
Standard Drain - STD-UNI-XX

Note: For product specifications please see over



Capri CAP-N-SW

Modular double-ended tub



General specifications for Capri tub

Installed size	70 ^{7/8} " x 31 ^{1/2} " x 24 ^{13/16} "
Weight	218lbs
Weight with water	926lbs
Gallons to overflow	84 ^{1/2} gallons
Bathing well at sump	45 ^{1/2} " x 19 ^{1/2} "
Bathing well at rim	67" x 24 ^{3/8} "
Water depth to overflow	17 ^{1/2} "

Notes

Refer to installation instructions supplied with tub for additional information. Fittings (faucets & drain assembly) not included and must be ordered separately. If installing deck mounted hardware refer to 'drilling faucet holes' instructions before installation.

Important

Dimension of fixtures are nominal and may vary within the range of tolerances established by ANSI standard A112.19.4M.

These measurements are subject to change or cancellation.

No responsibility is assumed for use of superseded or void leaflet.