

Como COM-N-SW



Compact double-ended tub

- Minimalist one piece design with a cutaway apron
- Made from ENGLISHCAST™
 - One piece casting of rare volcanic limestone and resin
 - Harder and more durable than acrylic
- Easy clean high gloss finish
- Exterior can be painted, faux finished or stenciled
- 25 year warranty

Floor cutaway maximizes impression of space



Options to be Specified

Tub:

- **No faucet holes**
Suitable for freestanding, wall or deck mounted faucets. Victoria & Albert warranty installers drilling custom faucet holes on-site
See separate Lido faucet stand sheet for further options.

Recommended Drain:

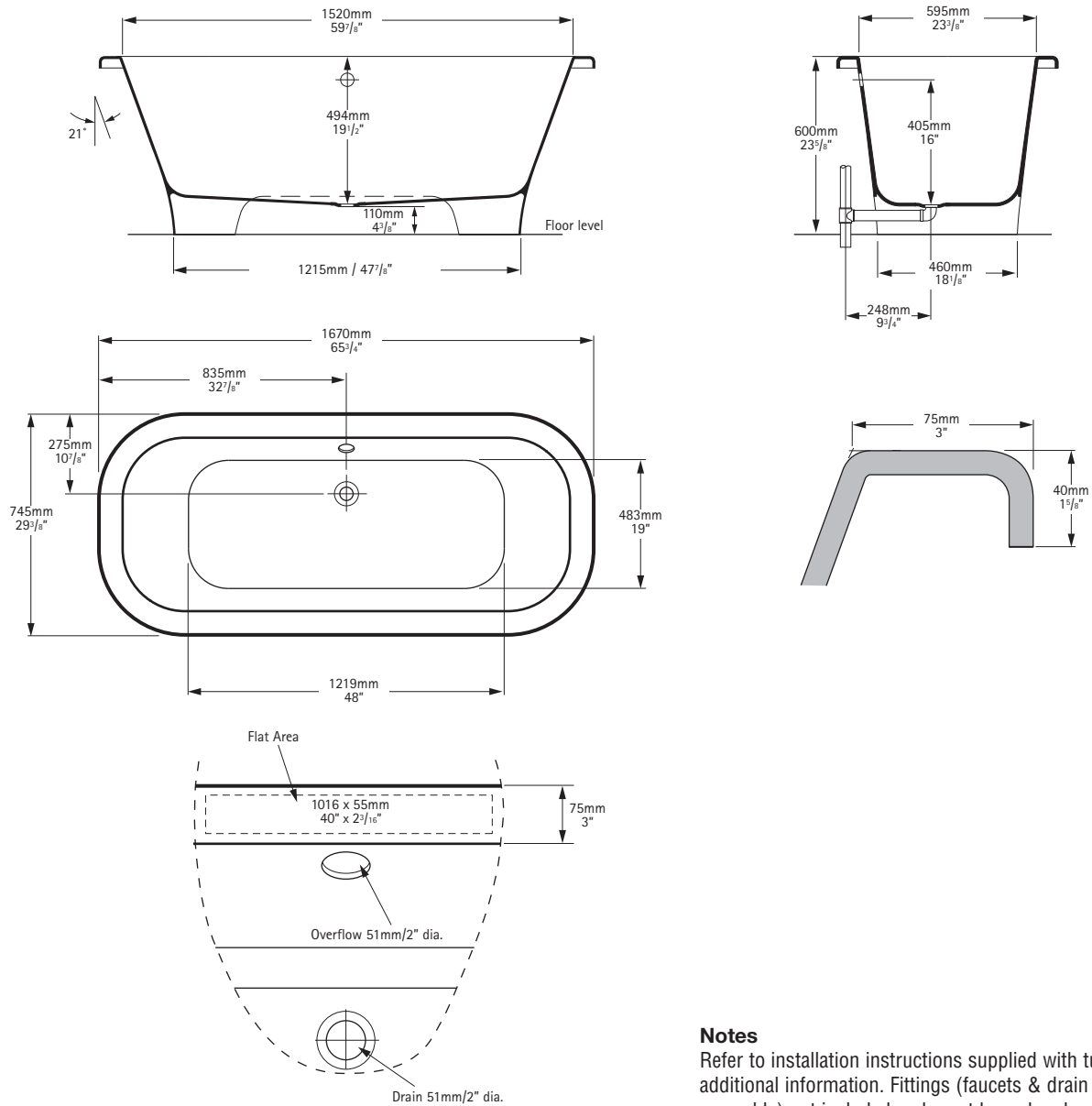
Standard Drain - STD-UNI-XX

Note: For product specifications please see over



Como COM-N-SW

Compact double-ended tub



General specifications for Como tub

Installed size	65 ¹ / ₄ " x 29 ³ / ₈ " x 23 ⁵ / ₈ "
Weight	133lbs
Weight with water	714lbs
Gallons to overflow	69 gallons
Bathing well at sump	48" x 19"
Bathing well at rim	59 ⁷ / ₈ " x 23 ³ / ₈ "
Water depth to overflow	16"

Notes

Refer to installation instructions supplied with tub for additional information. Fittings (faucets & drain assembly) not included and must be ordered separately. If installing deck mounted hardware refer to 'drilling faucet holes' instructions before installation.

Important

Dimension of fixtures are nominal and may vary within the range of tolerances established by ANSI standard A112.19.4M.

These measurements are subject to change or cancellation.

No responsibility is assumed for use of superseded or void leaflet.