

Lido & Lido Grande

LID-N-SM / LID-N-LG



Freestanding faucet towers

- Ultra minimalist design
- Dedicated faucet towers to hide all supply pipe work
- Two versions – suitable for virtually every combination of tub and filler
- Minimalist design for easy installation
- Made from ENGLISHCAST™
 - One piece casting of rare volcanic limestone and resin
 - Harder and more durable than acrylic
- Easy clean high gloss finish
- Exterior can be painted, faux finished or stenciled
- 25 year warranty

ios with Lido Grande faucet tower - LID-N-LG



Options to be Specified

Faucet Tower:

- **Lido - LID-N-SM**
Suitable for Napoli and Marlborough tubs (shown above)
18½" high
Designed for on-site drilling of holes – three maximum.
- **Lido Grande - LID-N-LG**
Suitable for all V&A tubs apart from Napoli and Sorrento (shown below left)
24¾" high
Designed for on-site drilling of holes – five maximum.

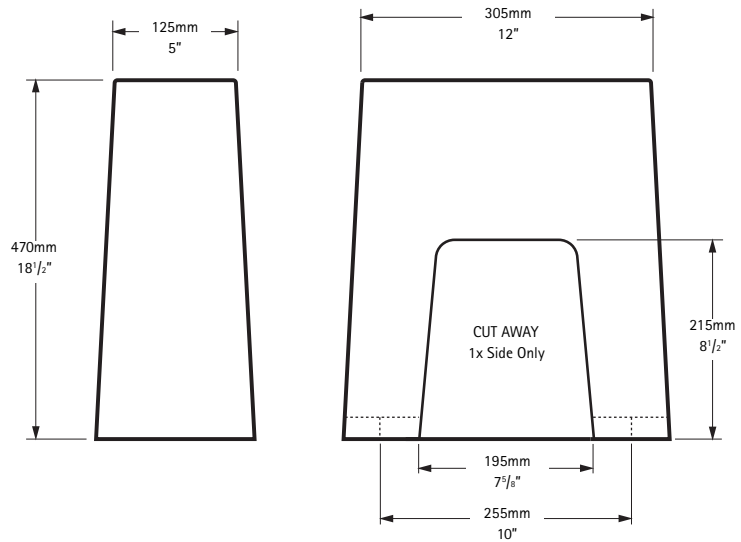
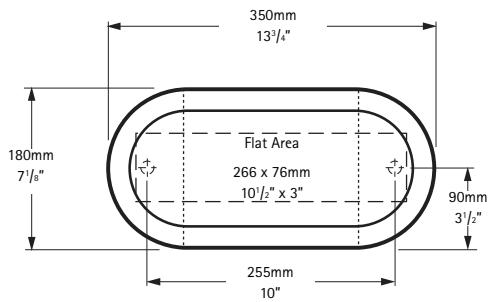
Note: For product specifications please see over



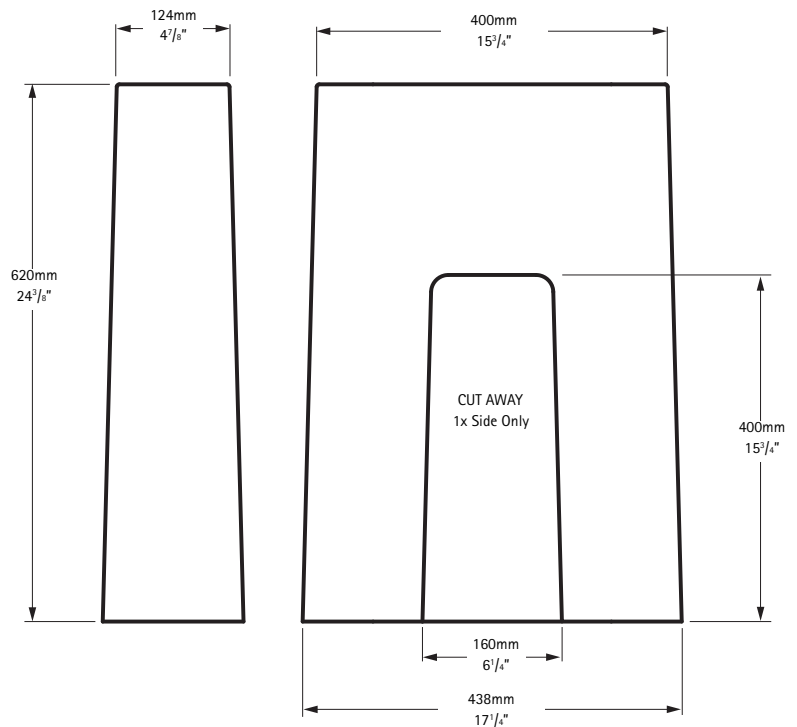
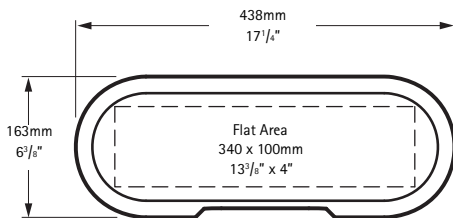
Lido & Lido Grande LID-N-SM / LID-N-LG

Freestanding faucet tower

Lido - LID-N-SM 3 faucet holes maximum



Lido Grande - LID-N-LG 5 faucet holes maximum



General specifications for Lido faucet tower

Installed size	13 3/4" x 7 1/4" x 18 1/2"
Size of faucet ledge (external maximum)	12" x 5"

General specifications for Lido Grande faucet tower

Installed size	17 1/4" x 6 3/8" x 24 3/8"
Size of faucet ledge (external maximum)	15 3/4" x 4 7/8"

Notes

Fittings (faucets & filler assembly) not included and must be ordered separately.

Important

Dimension of fixtures are nominal and may vary within the range of tolerances established by ANSI standard A112.19.4M. These measurements are subject to change or cancellation. No responsibility is assumed for use of superseded or void leaflet.