

Marlborough MAR-N-SW



Double-ended slipper tub

- Classic freestanding design with separate base
- Made from ENGLISHCAST™
 - One piece casting of rare volcanic limestone and resin
 - Harder and more durable than acrylic
- Easy clean high gloss finish
- Exterior can be painted, faux finished or stenciled
- 25 year warranty

The centerpiece for modern or traditional bathrooms.
Shown with Lido faucet stand - LID-N-SM



Options to be Specified

Tub:

- **No faucet holes**
Recommended for use with optional Lido freestanding faucet stand **LID-N-SM**
Suitable for freestanding or wall mounted faucets
- Note** Due to the design of the rim this product cannot be drilled for faucet holes.

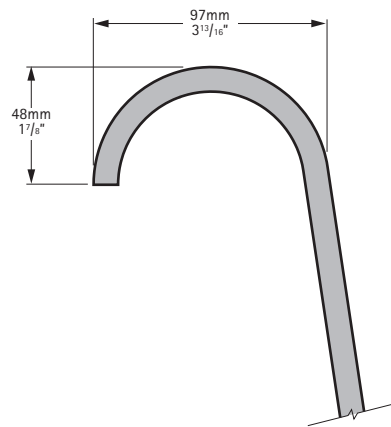
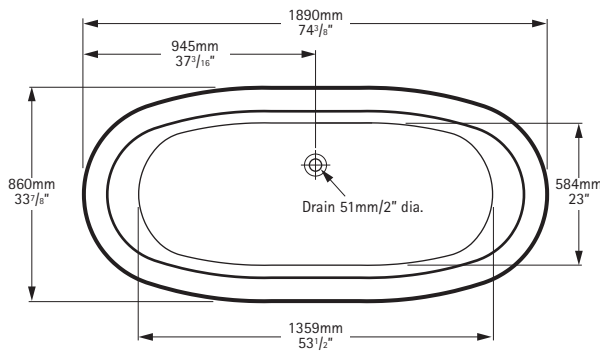
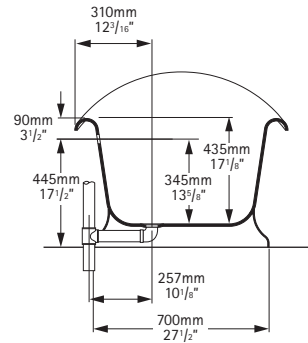
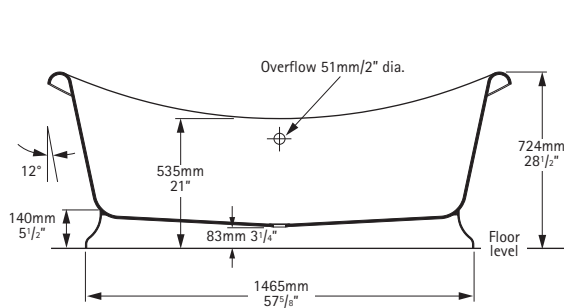
Recommended Drain:
Standard Drain – **STD-UNI-XX**

Note: For product specifications please see over



Marlborough MAR-N-SW

Double-ended slipper tub



General specifications for Marlborough tub

Installed size	74 ^{3/8} " x 33 ^{7/8} " x 21-28 ^{1/2} "
Weight	141lbs
Weight with water	734lbs
Gallons to overflow	74 gallons
Bathing well at sump	53 ^{1/2} " x 23"
Bathing well at rim	60" x 28"
Water depth to overflow	13 ^{5/8} "

Notes

Refer to installation instructions supplied with tub for additional information. The plinth supplied support sump of tub. No additional support required.

Fittings (faucets & drain assembly) not included and must be ordered separately.

Important

Dimension of fixtures are nominal and may vary within the range of tolerances established by ANSI standard A112.19.4M.

These measurements are subject to change or cancellation.

No responsibility is assumed for use of superseded or void leaflet.