

# Monaco

MON-N-SW



## Modern double-ended tub

- Contemporary freestanding design
- Made from ENGLISHCAST™
  - One piece casting of rare volcanic limestone and resin
  - Harder and more durable than acrylic
- Easy clean high gloss finish
- Exterior can be painted, faux finished or stenciled
- 25 year warranty

Clean lines thanks to a full apron



## Options to be Specified

### Tub:

- **No faucet holes**  
Suitable for freestanding, wall or deck mounted faucets. Victoria & Albert warranty installers drilling custom faucet holes on-site.  
See separate Lido faucet stand sheet for further options.

### Recommended Drain:

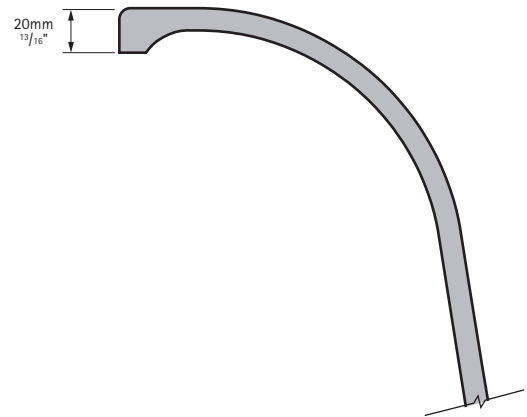
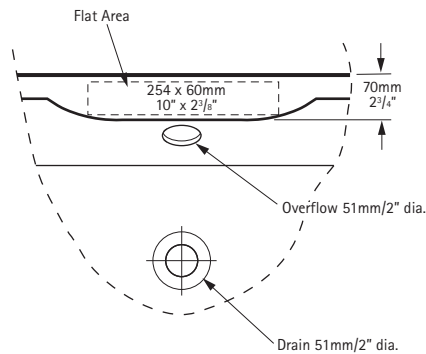
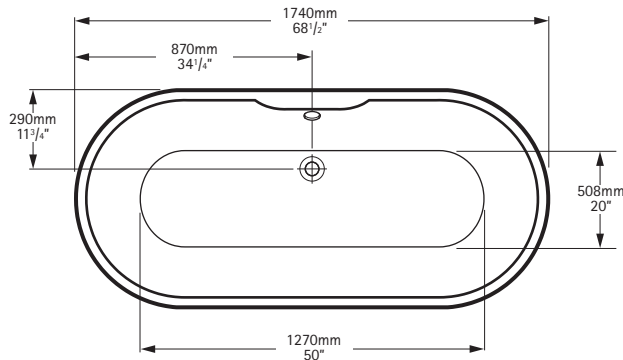
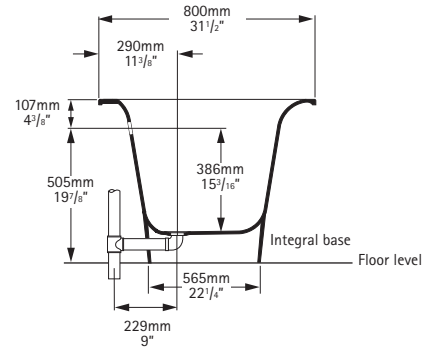
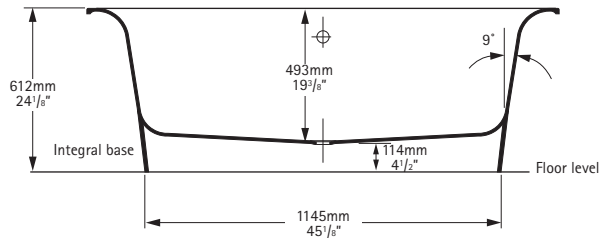
Standard Drain - STD-UNI-XX

**Note:** For product specifications please see over



# Monaco MON-N-SW

Modern double-ended tub



### General specifications for Monaco tub

Installed size	68 1/2" x 31 1/2" x 24 1/8"
Weight	141lbs
Weight with water	670lbs
Gallons to overflow	63 gallons
Bathing well at sump	50" x 20"
Bathing well at rim	57" x 22 13/16"
Water depth to overflow	15 3/16"

### Notes

Refer to installation instructions supplied with tub for additional information. Can be used as a drop-in tub. Fittings (faucets & drain assembly) not included and must be ordered separately. If installing deck mounted hardware refer to 'drilling faucet holes' instructions before installation.

### Important

Dimension of fixtures are nominal and may vary within the range of tolerances established by ANSI standard A112.19.4M.

These measurements are subject to change or cancellation.

No responsibility is assumed for use of superseded or void leaflet.