

# Richmond RIC-N-SW



## Classic double-ended tub

- Traditional freestanding design
- Available with Art Deco style scroll ENGLISHCAST™ feet
- Made from ENGLISHCAST™
  - One piece casting of rare volcanic limestone and resin
  - Harder and more durable than acrylic
- Easy clean high gloss finish
- Exterior can be painted, faux finished or stenciled
- 25 year warranty

Suitable for modern or traditional bathrooms



## Options to be Specified

### Tub:

- **No faucet holes**  
Suitable for freestanding, wall or deck mounted faucets. Victoria & Albert warranty installers drilling custom faucet holes on-site.

Feet: (see feet page for more information)



White Scroll  
ENGLISHCAST™  
FT-RIC-SW

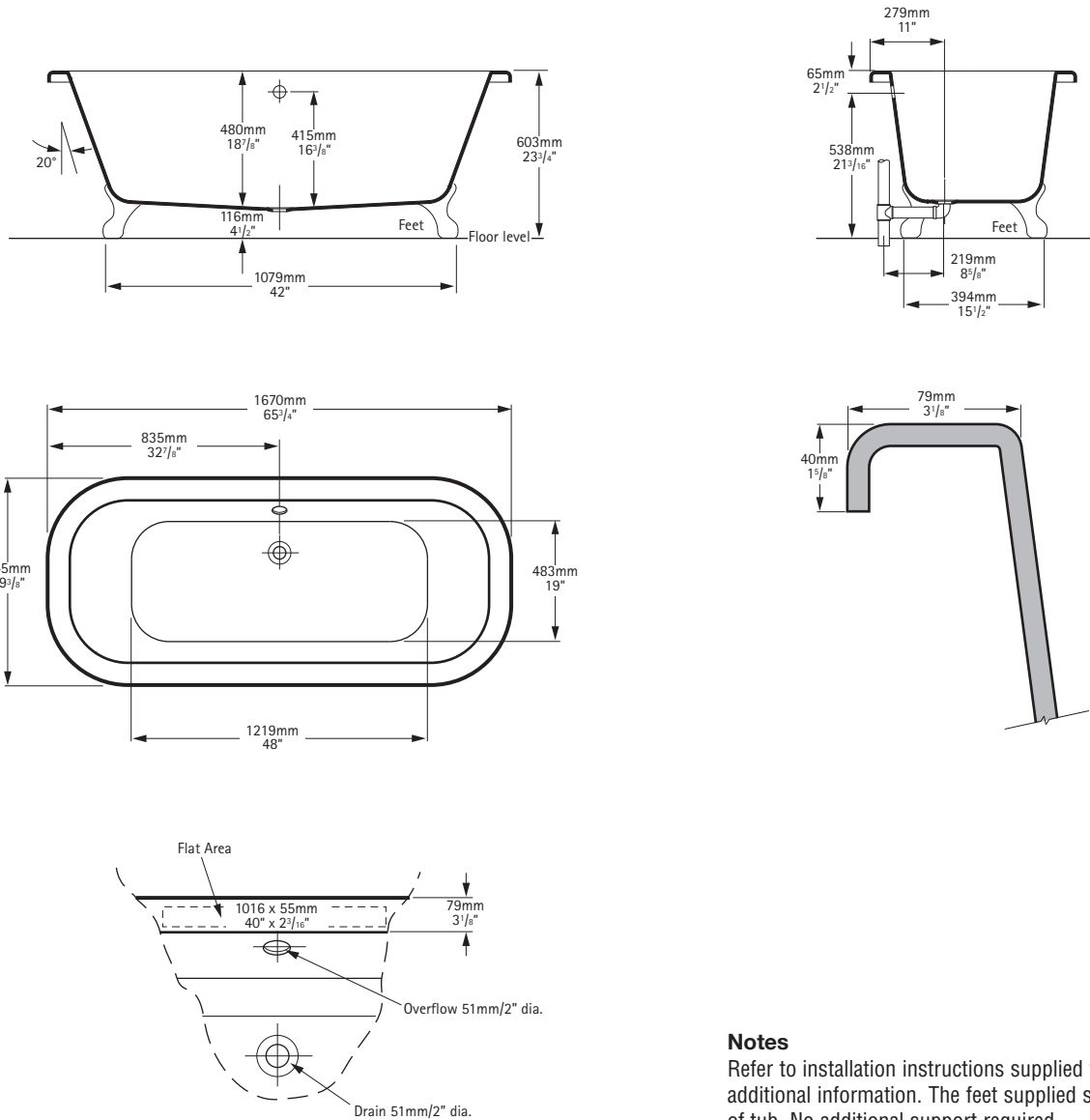
Recommended Drain:  
Standard Drain - STD-UNI-XX

**Note:** For product specifications please see over



# Richmond RIC-N-SW

## Classic double-ended tub



### General specifications for Richmond tub

<b>Installed size</b>	65 3/4" x 29 5/8" x 23 3/4"
<b>Weight</b>	133lbs
<b>Weight with water</b>	617lbs
<b>Gallons to overflow</b>	58 gallons
<b>Bathing well at sump</b>	48" x 19"
<b>Bathing well at rim</b>	59 1/2" x 23 1/8"
<b>Water depth to overflow</b>	16 3/8"

### Notes

Refer to installation instructions supplied with tub for additional information. The feet supplied support sump of tub. No additional support required.

Fittings (faucets & drain assembly) not included and must be ordered separately. If installing deck mounted hardware refer to 'drilling faucet holes' instructions before installation.

### Important

Dimension of fixtures are nominal and may vary within the range of tolerances established by ANSI standard A112.19.4M.

These measurements are subject to change or cancellation.

No responsibility is assumed for use of superseded or void leaflet.