

Wessex WES-N-SW



Classic single-ended tub

- The 5th version of the Hampshire
- Made from ENGLISHCAST™
 - One piece casting of rare volcanic limestone and resin
 - Harder and more durable than acrylic
- Easy clean high gloss finish
- Exterior can be painted, faux finished or stenciled
- 25 year warranty

Highly compact & authentic



Options to be Specified

Tub:

- **No faucet holes**
Suitable for freestanding, wall or deck mounted faucets. Victoria & Albert warranty installers drilling custom faucet holes on-site.

Feet: (see feet page for more information)



White Metal

FT-HAM-WH



Polished Chrome

FT-HAM-PC



Polished Brass

FT-HAM-PB



Brushed Nickel

FT-HAM-BN



Polished Nickel

FT-HAM-PN



Oil Rubbed Bronze

FT-HAM-ORB



White ENGLISHCAST™

FT-HAM-SW

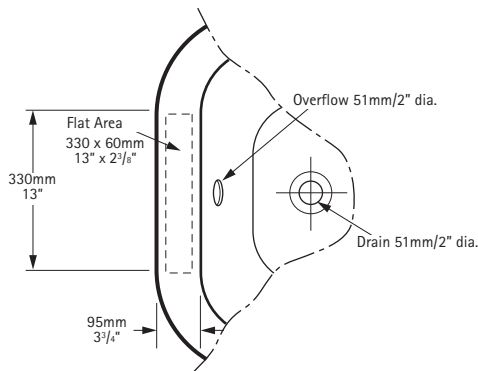
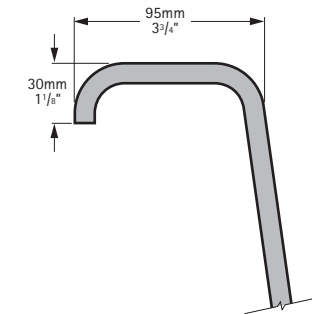
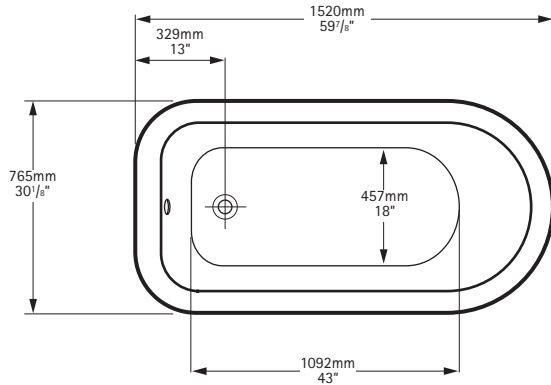
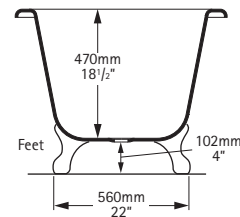
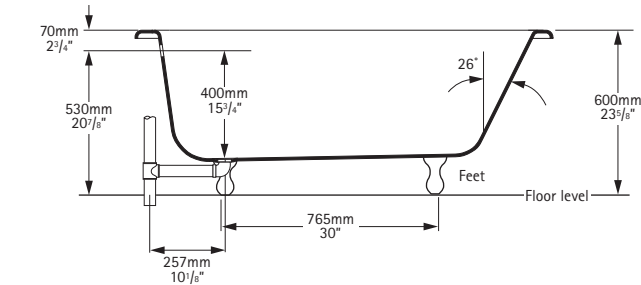
Recommended Drain:
Standard Drain - STD-UNI-XX

Note: For product specifications please see over



Wessex WES-N-SW

Classic single-ended tub



General specifications for Wessex tub

Installed size	59 ⁷ / ₈ " x 30 ¹ / ₈ " x 23 ⁵ / ₈ "
Weight	115lbs
Weight with water	512lbs
Gallons to overflow	48 gallons
Bathing well at sump	43" x 18"
Bathing well at rim	54" x 24 ³ / ₈ "
Water depth to overflow	15 ³ / ₄ "

Notes

Refer to installation instructions supplied with tub for additional information. The feet supplied support sump of tub. No additional support required.

Fittings (faucets & drain assembly) not included and must be ordered separately. If installing deck mounted hardware refer to 'drilling faucet holes' instructions before installation.

Important

Dimension of fixtures are nominal and may vary within the range of tolerances established by ANSI standard A112.19.4M.

These measurements are subject to change or cancellation.

No responsibility is assumed for use of superseded or void leaflet.