

York YOR-N-SW



Traditional double-ended tub

- Classic freestanding design with separate base
- Made from ENGLISHCAST™
 - One piece casting of rare volcanic limestone and resin
 - Harder and more durable than acrylic
- Easy clean high gloss finish
- Exterior can be painted, faux finished or stenciled
- 25 year warranty

Full plinth hides waste pipe work



Options to be Specified

Tub:

- **No faucet holes**
Suitable for freestanding, wall or deck mounted faucets. Victoria & Albert warranty installers drilling custom faucet holes on-site.

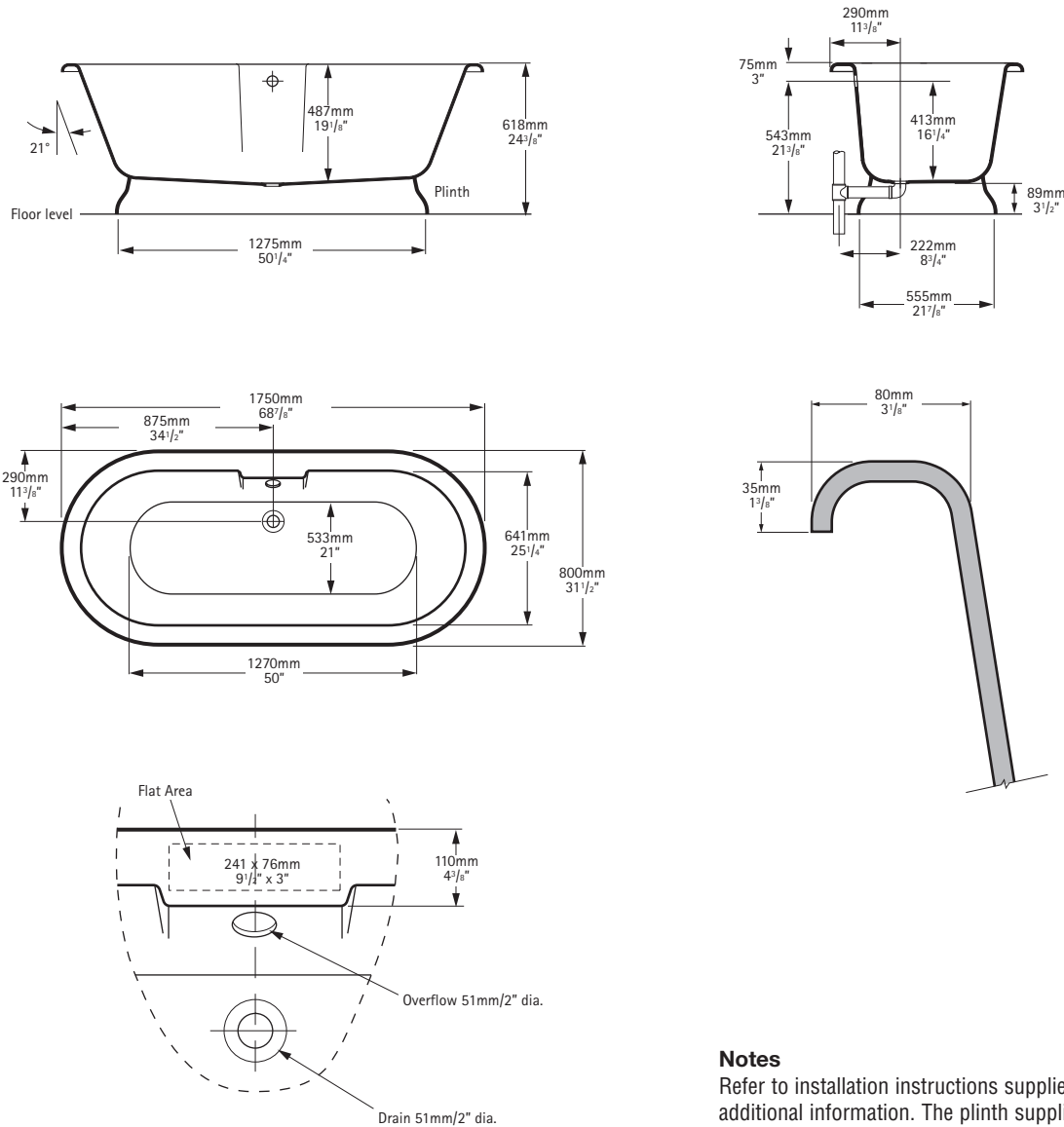
Recommended Drain:
Sub floor drain connection.

Note: For product specifications please see over



York YOR-N-SW

Traditional double-ended tub



General specifications for York tub

Installed size	68 7/8" x 31 1/2" x 26"
Weight	154lbs
Weight with water	763lbs
Gallons to overflow	73 gallons
Bathing well at sump	50" x 21"
Bathing well at rim	62 5/8" x 25 1/4"
Water depth to overflow	16 1/4"

Notes

Refer to installation instructions supplied with tub for additional information. The plinth supplied support sump of tub. No additional support required.

Fittings (faucets & drain assembly) not included and must be ordered separately. If installing deck mounted hardware refer to 'drilling faucet holes' instructions before installation.

Important

Dimension of fixtures are nominal and may vary within the range of tolerances established by ANSI standard A112.19.4M.

These measurements are subject to change or cancellation.

No responsibility is assumed for use of superseded or void leaflet.